



Next Gen Fire Suppression Products

TECHNICAL DATA

iCO® Flow Controller



Part No:	iCO PU001-00
Dimensions:	342mm (W) x 342mm (D) x 495mm (H)
Mains Voltage rating:	240V
Full load Current:	0.17A -
Standby current:	0.06A -
Power Supply Connection:	3amp fused unswitched spur direct from the board. Run in fire rated cable.
Weight:	2kg
Battery Size:	1x 2.8ah 12v
System run time:	10mins/30mins/Unlimited. (Selectable).
Serviceability Access:	Removable front cover with security screws.
Mounting:	Surface.
Operation:	Double knock linked to smoke detection.
Fire relay:	2x NO/NC volt free 30VDC 1A
Fault relay:	1x NO/NC volt free 30VDC 1A
AUX Power out/Priority demand valve output:	12V 1.1A
Power monitoring:	Battery backed up audible alarm for fault monitoring.
Battery monitoring:	Check every 1mins if battery is detached.
Manual controls:	Lamp test, reset, test actuated valve.
Battery Backup:	24hr standby and 30mins in alarm.



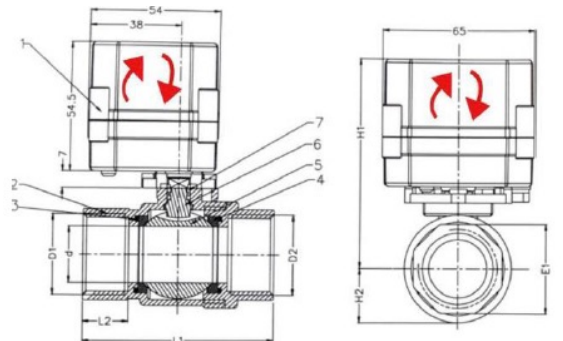
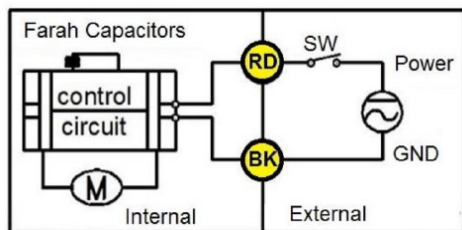
Next Gen Fire Suppression Products

TECHNICAL DATA

Actuated Ball Valve

Actuated Ball Valve 1/2" - 1" BSP

Position:	Normally open
Loss of power failsafe position:	Open
Connection Options:	1/2" 15mm BSP, 3/4" 20mm BSP, 1" 25mm BSP
Operation feedback:	Visual Position Indicator
Max Pressure:	10 Bar
Minimum Pressure:	0 Bar
Voltage:	12v DC
IP Rating:	IP67
Electrical connection:	0.5m lead wires
Connection to the panel:	2 wire
Max Power Consumption moving:	5 Watts
Max Power Holding:	0.6 Watts
Operating Time:	5 Seconds
Seals:	PTFE
Duty Cycle:	100,000
Mounting Orientation:	Any
Ambient Temperature:	4°C - 55 °C



Port D1/D2	d	L1	L2	E1	H1	H2	Kg
1/2	15	63	14	25	83	17	0.4
3/4	20	72	17	31	87	20	0.5
1	25	81	18	38	95	24	0.6



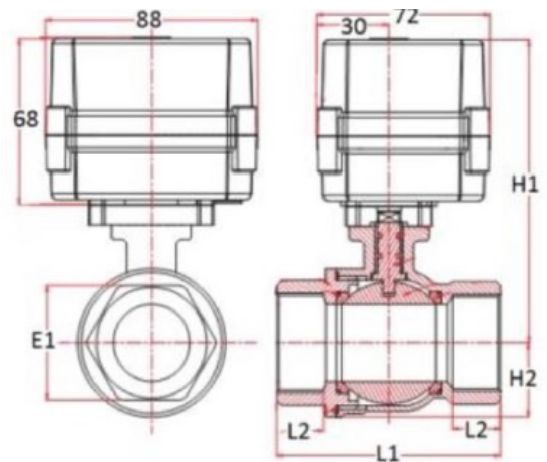
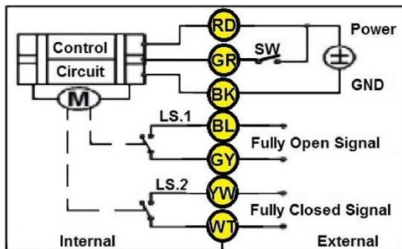
Next Gen Fire Suppression Products

TECHNICAL DATA

Actuated Ball Valve

Actuated Ball Valve 1 1/4" - 2" BSP

Position:	Normally open
Loss of power failsafe position:	Open
Connection Options:	1 1/4" 32mm BSP, 1 1/2" 40mm BSP, 2" 50mm, BSP
Operation feed back:	Visual Position Indicator
Max Pressure:	10 Bar
Minimum Pressure:	0 Bar
Voltage:	12V DC
IP Rating:	IP67
Electrical connection:	0.5m lead wires
Connection to the panel:	2 wire
Max Power Consumption moving:	22 Watts
Operating time:	10 Seconds
Seals:	PTFE
Duty Cycle:	70,000
Mounting Orientation:	Any
Ambient Temperature:	4°C - 50 °C



Port	Bore	L1	L2	E1	H1	H2
1 1/4	32	102	23	47	122	31
1 1/2	40	115	25	54	130	36
2	50	130	25	66	138	45